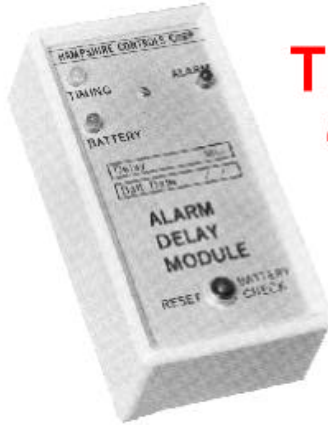




HAMPSHIRE CONTROLS CORP.

One Grove St./Box 516, Dover, NH 03820
(603) 749-9424 FAX:(603) 749-9433

Model ADM Alarm Delay Module



**This little unit
could save you
a night's sleep
or an expensive
service call.**

End false alarms without jeopardizing
your alarm function.

If you have an alarm connected to a telephone dialer, or to some central monitoring service, you will immediately recognize the value of our ALARM DELAY MODULE. The module allows you to set a time period that must be completed, with the alarm signal continuously present, before the alarm is sent to the dialer or supervisory system. That means that a transitory condition that corrects itself before the selected time is completed will not result in an unnecessary phone call or a charge for a response that was not needed.

By selecting the correct delay time for *your* system, you can retain security and still screen out alarms that are unimportant.

STOP NUISANCE ALARMS In many applications (a freezer cabinet for example), the monitored parameter (temperature) will not change substantially in a few minutes. Short power interruptions such as those caused by lightning, or transient temperature fluctuations would not result in damage to freezer contents unless the condition persisted. Therefore, if you install a Delay Module and set it for a moderate delay time - eg. 8 minutes - occurrences that ordinarily would result in an alarm signal transmission will now be screened. Should the alarm condition last for 8 minutes, the condition would be transmitted normally. To insure system integrity, qualified personnel should respond to all transmitted alarms, but the cost of doing so is high and is directly proportional to the number of responses required. Our **Alarm Delay Module** will greatly reduce the number of false alarms transmitted and, therefore, the number of responses necessary. If the Alarm Delay Module eliminates just one or two false alarms in a year, it will more than pay for itself.

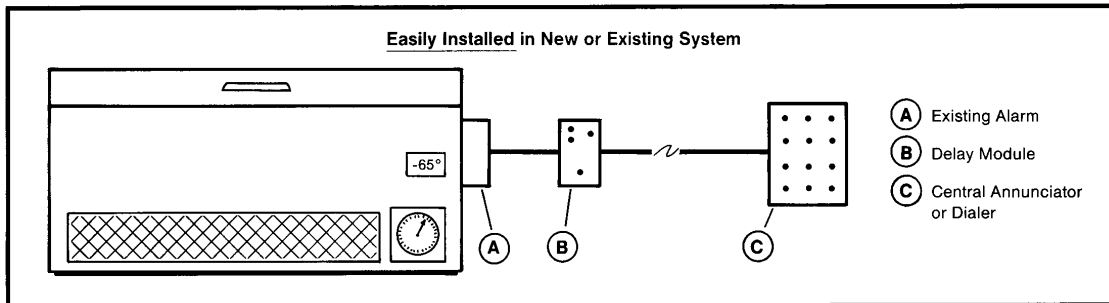
SOLVE THE CASE OF THE "MISSING CAUSE" Have you ever responded to a tripped alarm only to find everything OK when you arrived? Or have you been charged a fee by a commercial alarm response group and along with the bill received a "cause unknown" report? The tattletale feature of the **Alarm Delay Module** eliminates uncertainty. Once the set delay period is exceeded, a flashing red LED comes on and REMAINS ON until the reset button is pushed. You will always be able to pinpoint the exact location of the unit that sent the alarm, even if the condition has corrected itself. The Delay Module can also serve as an indicator of an impending system component failure. If a specific monitored device sends "no cause" alarms often, you can identify it and perform whatever maintenance is necessary to prevent a real and costly problem.



HAMPSHIRE CONTROLS CORP.

One Grove St./Box 516, Dover, NH 03820
(603) 749-9424 FAX:(603) 749-9433

- The Hampshire Controls Alarm Delay Module inserts a variable time interval between the detection of the alarm condition and the transmission of the alarm information to monitoring systems, telephone dialers and external services. It has been designed to accept dry contact inputs, either Normally Open (N.O.) or Normally Closed (N.C.).
- A digital timing circuit provides accurate, repeatable time delays from 0.5 minutes to 32 minutes.
- The Delay Module operates independently of line power on a standard 9V battery with built-in test function. The solid state circuitry consumes very little power, resulting in a typical battery life expectancy in excess of one year.
- If the Delay Module transmits an alarm condition, a flashing red light remains on even if the condition eventually corrects itself. This allows responding personnel to accurately determine the source of the transmission.
- A relay provides electrical isolation between the incoming contact lines and those connected to the output.
- The Delay Module can be used to invert the 'sense' of the alarm contacts, that is change an incoming N.O. set of contacts to a N.C. set of contacts, virtually assuring that any existing alarm detection device can be hooked to any monitoring system.



Alarm Delay Module Specifications

Power Requirements	9V Alkaline Battery (user supplied)
Compatibility	Useable with virtually any alarm system.
Input	Dry Contact N.O. or N.C.
Delay	User selectable digital timer: 0.5, 1, 2, 4, 8, 16, 32 minutes (other ranges upon request)
Indicators	LEDs Yellow: timing indication Red: transmit alarm (tattle-tale) Green: reset (battery check)
Connections	Internal terminal strip and battery holder
Mounting	Adhesive Velcro strips (supplied) or screws
Weight	Approx. 6.5 oz. (with battery installed)

ATTENTION: The Alarm Delay Module has been specifically designed for use with alarm systems used for monitoring storage enclosures, cold rooms, environmental cabinets, etc. The device **SHOULD NOT BE USED** in conjunction with entry, burglary, fire or similar alarm systems.

NOTE: There is a one year warranty on all Hampshire Controls products.